

Hybrid

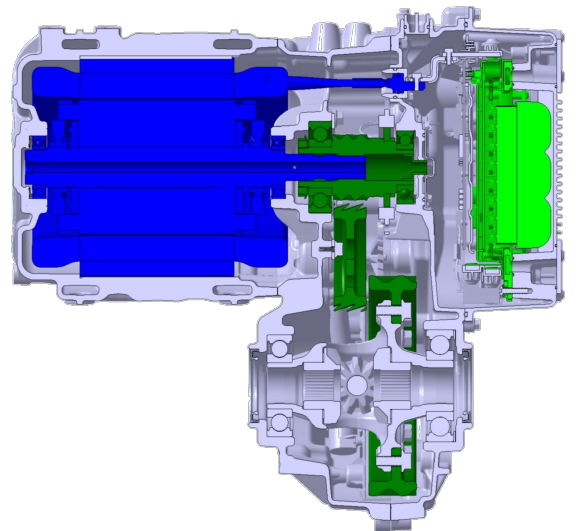


Electric

Maverick25

Integrated Electric Drive Module

for Hybrid and Electric Vehicles



www.maverickevs.com

Maverick25

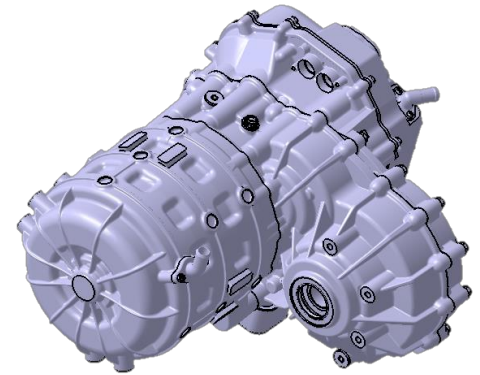
most powerful IM motor

Integrated, efficient
propulsion solution

Now available in one compact, easy-to-install package:
IM motor is simple, the stability is good, the anti-vibration
performance is superior.

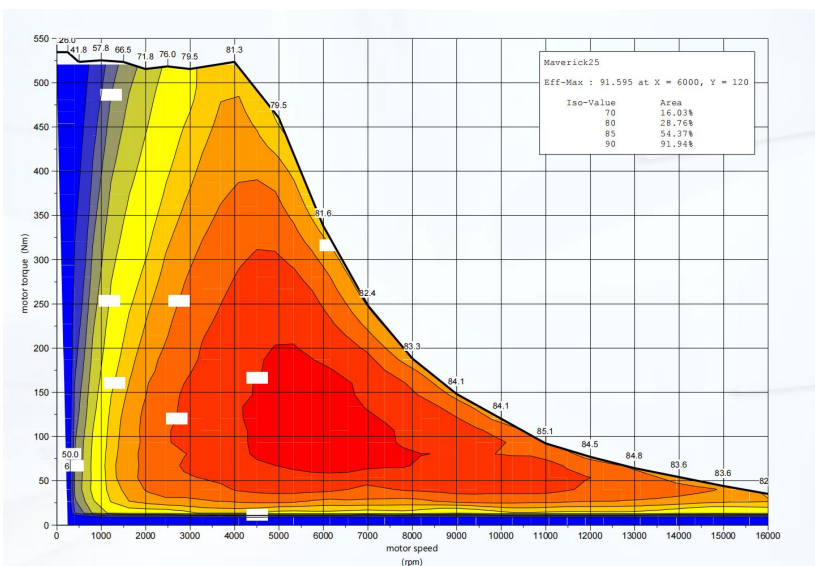
There is no decay phenomenon, because its magnetic field
does not rely on magnets, as long as the main body is not
damaged, there is no problem of power decline.

Torque bursts are reliable and durable for direct operation.



Specifications

Continuous Power	85kW
Peak Power	255kW
Continuous Torque @ Wheels	1295 Nm
Peak Torque @ Wheels	4310Nm



For Additional Maverick Information:
maverickevs.com